

CLAMPBRO®

STRONG-ARM



2.5T TROLLEY JACK WITH SUV SADDLE
MODEL NO: CTJ2500SUV
PART NO: 6601517

OPERATION & MAINTENANCE INSTRUCTIONS

UK
CA | CE

ORIGINAL INSTRUCTIONS

GC03/23

INTRODUCTION

Thank you for purchasing this CLARKE Trolley Jack.

Before attempting to use this product, please read this manual thoroughly and follow the instructions carefully. In doing so you will ensure the safety of yourself and that of others around you, and you can look forward to your purchase giving you long and satisfactory service.

SPECIFICATIONS

	CTJ2500SUV
Weight	18.3 kg
Dimensions (L x W x H) without handle	622 x 242 x 158mm
Rated Load	2.5 tonne (2500kg)
Height of saddle from floor (minimum)	150 mm (245 with extension)
Max height of saddle with adaptor	530 mm
Max height of saddle without adaptor	435 mm
Pump oil capacity	120 ml
Number of strokes min-max height	approx 45
Distance raised per stroke	6.5

GUARANTEE

This product is guaranteed against faulty manufacture for a period of 12 months from the date of purchase. Please keep your receipt which will be required as proof of purchase.

This guarantee is invalid if the product is found to have been abused or tampered with in any way, or not used for the purpose for which it was intended.

Faulty goods should be returned to their place of purchase, no product can be returned to us without prior permission.

This guarantee does not effect your statutory rights.

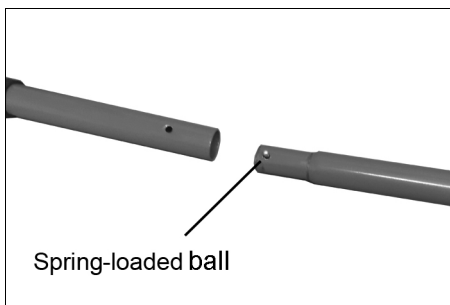
SAFETY PRECAUTIONS

1. Read this instruction manual before use.
2. Only trained persons should operate this lifting equipment.
3. **ALWAYS** ensure that sufficient light is provided and that the work area is kept clear of unrelated items.
4. **ALWAYS** inspect the jack before use. Make sure that all parts are in good condition and operating smoothly and that no cracks or distortion is apparent. If in doubt **DO NOT** use. Have the damaged parts replaced or consult your CLARKE dealer.
5. The jack must be maintained and repaired by suitably qualified persons.
6. **DO NOT** make any modifications to this jack or adjust any valves.
7. **DO NOT** use the jack if an oil leak is apparent. Consult your CLARKE dealer.
8. **DO NOT** use to lift people and ensure that no-one is in the vehicle during lifting.
9. **NEVER** exceed the rated load for the jack See "Specifications" on page 2. Overloading can cause the jack to fail, resulting in personal injury.
10. Make sure that the jack is on a hard, level surface, and there is no possibility of it slipping when under load.
11. Only use the jack on solid ground, preferably concrete. Avoid tarmac as the jack could sink in.
12. Make sure the load is taken by the full saddle and that the lifting point on the vehicle is of sufficient strength to support the weight.
13. **ALWAYS** use axle stands to stabilise the load once lifted.
14. Consult the vehicle handbook to determine the correct lifting points.
15. Ensure the vehicle is chocked and the handbrake applied before lifting.
16. **NEVER** work on or under a vehicle unless it is fully and adequately supported.
17. **NEVER** rely upon the jack to hold the vehicle in position.
18. **NEVER** push a vehicle off the jack.
19. Ensure that all personnel are well clear of a load being raised or lowered.
20. Take care not to trap fingers in the moving parts.
21. Use only as a lifting device; do not use as a dolly to move a load.

UNPACKING AND ASSEMBLY

Unpack the components and remove packing materials. Check that no damage has occurred during transit and immediately advise the CLARKE dealer where you purchased the product of any deficiency.

1. Connect the two halves of the handle together and clip together with the spring-loaded ball.
2. Fit the adaptor into the socket if an SUV is the vehicle to be lifted.
3. Add the saddle either to the lifting arm or to the top of the adaptor as required.



OPERATION

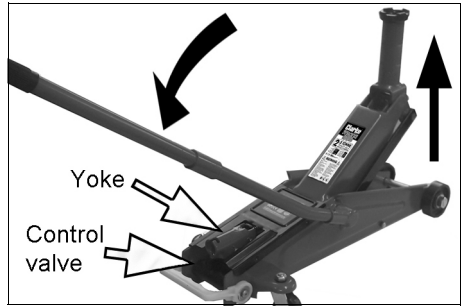
Before use, inspect the jack for oil leaks or any other sign of damage. Should any be apparent, have the jack repaired by a qualified technician.



WARNING: NEVER WORK ON THE VEHICLE WHEN SUPPORTED ONLY BY A JACK WHICH IS A HIGHLY DANGEROUS PRACTICE. THE VEHICLE MUST BE SUPPORTED ON AXLE STANDS OR SUITABLE SUPPORTS, BENEATH THE CORRECT JACKING/SUPPORT POINTS.

1. Ensure the vehicle to be raised is stable and on firm level ground with the wheels chocked.
2. Position the jack so that the saddle is directly beneath the lifting point. In the case of high riding SUVs, insert the adaptor between the jack and the saddle, seating both items in the socket provided.
 - Consult the vehicle handbook to determine suitable lifting points.
3. Engage the end of the handle with the jack control valve. Twist the handle clockwise to close the control valve.

4. Insert the handle into the quick lift operating arm on the side of the jack. Depress fully down to quickly raise the arm to the height needed for a high riding SUV.
5. Next, insert the handle into the yoke and pump the handle to raise the saddle until it reaches the jacking point.
6. Take care that no obstruction prevents a clean lift. Keep all personnel at a safe distance before lifting the vehicle.



NOTE: The jack may move slightly during operation. It is important therefore, that the floor is free from debris.

7. Position axle stands directly beneath suitable supporting points under the vehicle
 8. Very gently twist the handle anticlockwise to open the control valve and lower the vehicle onto the axle stands. ALWAYS avoid a rapid descent by turning the handle slowly.
 9. To stop it lowering at any point, turn the handle clockwise again.
 10. Carefully lower the vehicle onto the axle stand, checking constantly, preferably with an assistant, that the vehicles jacking point rests snugly and cleanly on the axle stand, and that the stand is stable before the weight is taken.
- NOTE:** Ensure this operation is carried out under complete control. DO NOT allow the load to drop suddenly as this could damage internal parts or the vehicle.
11. Completely remove the jack from the vehicle.
 12. Store the handle in the socket on the side of the jack.

MAINTENANCE

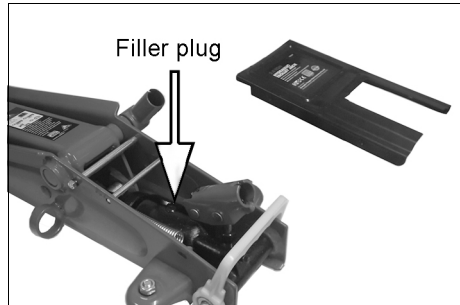
GENERAL CARE

1. Periodically lubricate the hinges, front wheels & rear castors with light oil.
2. In the event of damage or broken components, replacements are available from CLARKE Parts & Service.

PURGING AIR FROM THE SYSTEM

If air bubbles become trapped inside the hydraulic components, the efficiency of the jack will be reduced. If the air cannot be dispersed just by pumping the handle with the valve open, it can be purged from the system as follows.

1. Turn the control valve counter-clockwise, relieving the pressure within the jack, then prise off the cover plate & unscrew the filler plug.
 - A broad-bladed screwdriver is required for the plug.
2. Pump the handle several times to purge air from the system.
3. Replace the oil filler plug, then turn the control valve clockwise and test the jack. If efficiency is still low, check the oil level as below.



CHECKING THE OIL LEVEL

If the jack has been stored for long periods, check for oil leaks before use. If necessary, check the oil level as follows:

1. Ensure the jack is fully lowered by turning the control valve anticlockwise.
2. Remove the cover plate and the oil filler plug.
 - The oil should be almost level with the bottom of the oil filler hole.
 - It can be topped up using CLARKE Hydraulic Oil (p/no 3050830 for 1L).
3. Purge any air from the system and replace the oil filler plug.
4. Dispose of any old/spilled oil appropriately and wipe up any spillage.

STORAGE

1. Store in a dry place with the ram fully lowered. For servicing, contact your CLARKE dealer or CLARKE International Service Department.

ENVIRONMENTAL PROTECTION

One of the most damaging sources of environmental pollution is oil products. NEVER throw away used hydraulic oil with domestic refuse or flush it down a sink or drain. Collect any hydraulic oil in a leak proof container and take it to your local waste disposal site.

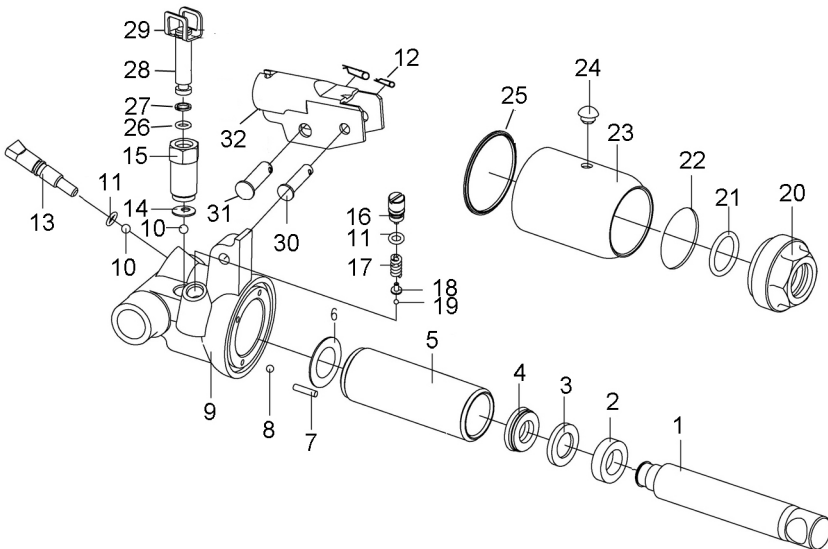
If disposing of this product or any damaged components, DO NOT dispose of with general waste. This product contains valuable raw materials and should be taken to your local civic amenity site for recycling of metal products.

TROUBLESHOOTING

PROBLEM	CAUSE	SOLUTION
Jack will not lift the rated load	Low oil level	See 'Checking the Oil Level' on page 6
	Valve not closed	Turn the release knob fully clockwise
	Air in the system	Purge the system as on page 6.
Jack lower when under load	Valve not fully closed	Turn the release knob fully clockwise
	Air in the system	Purge the system as on page 6
Pump feels spongy	Low oil level	See 'Checking the Oil Level' on page 6
	Air in the system	Purge the system as on page 6.
Jack will not lift full height	Low oil level	See 'Checking the Oil Level' on page 6
	Air in the system	Purge the system as on page 6.
Jack will not lower fully	Return spring may be faulty	Return to your Clarke dealer for repair.

If any of these actions fail to restore function, consult your Clarke dealer.

COMPONENT PARTS - HYDRAULIC RAM

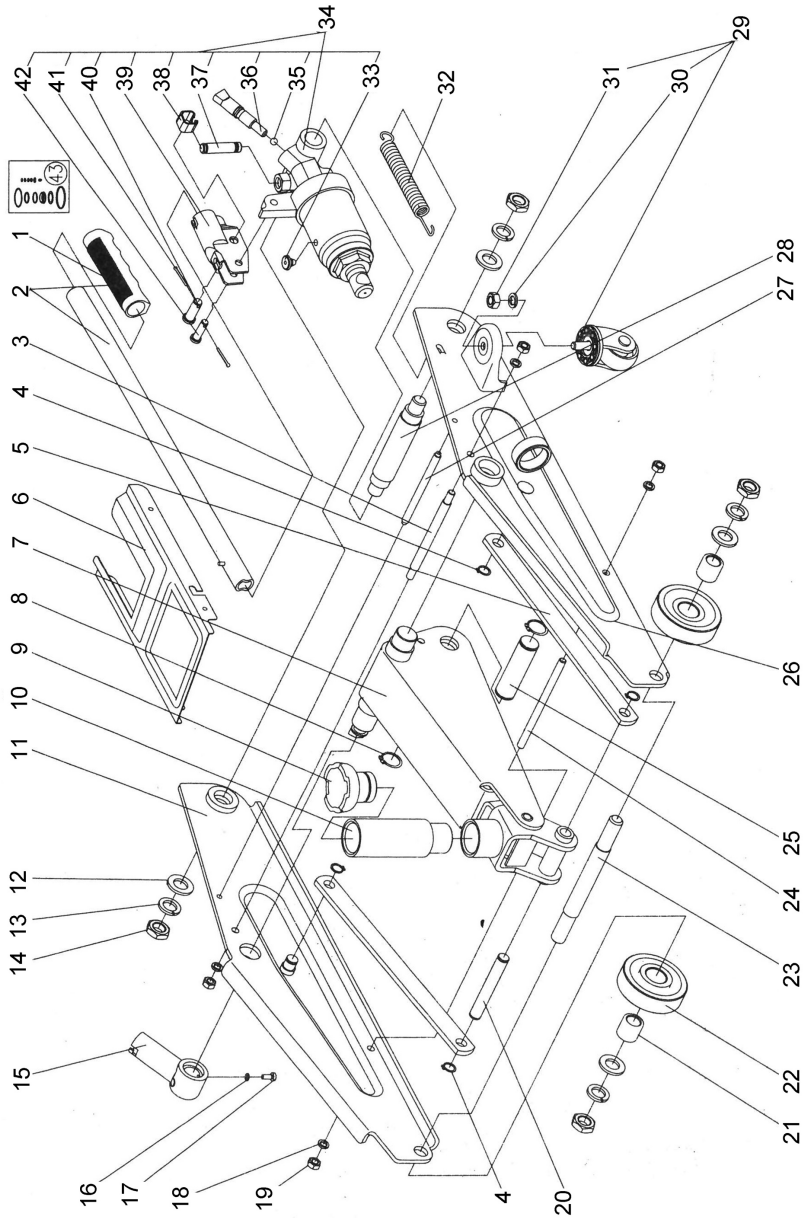


COMPONENT PARTS - HYDRAULIC RAM

	Description
1	Piston
2	Piston head
3	O-ring
4	Y-ring seal
5	Cylinder
6	Cylinder gasket
7	Filter oil tube
8	Steel ball
9	Valve body
10	Steel ball
11	O-ring
12	Cotter pin
13	Oil return valve stem
14	Pump core gasket
15	Pump body
16	Regulator screw

	Description
17	Valve spring
18	Spring seat
19	Steel ball
20	Top cup
21	O-ring
22	Seal
23	Cylinder
24	Oil plug
25	Cylinder oil seal
26	O-ring
27	Retaining ring
28	Pump operating piston
29	Piston connector
30	Hinge pin-small
31	Hinge pin-large
32	Handle yoke

COMPONENT PARTS - GENERAL ASSEMBLY






COMPONENT PARTS (GENERAL ASSEMBLY)



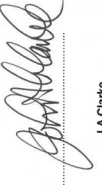
	Description
1	Handle cover
2	Handle
3	Support shaft
4	Circlip 13mm
5	Connecting rod
6	Cover plate
7	Lifting arm assembly
8	Circlip 22mm
9	Saddle
10	Saddle adaptor (SUV)
11	Right side plate
12	Washer 16mm
13	Retaining washer 16mm
14	Nut M16
15	Handle socket
16	Retaining washer 5mm
17	Phillips head screw
18	Retaining washer 8mm
19	Nut M8
20	Pin
21	Front wheel bush

	Description
22	Front wheel
23	Front axle
24	Tie rod
25	Main hinge pin
26	Left side plate
27	Spacer rod
28	Supporting shaft
29	Rear caster
30	Retaining washer 10mm
31	Nut M10
32	Return spring
33	Oil plug
34	Hydraulic ram assembly
35	Steel ball
36	Valve piston
37	Operating piston
38	Retaining clip
39	Handle yoke
40	Hinge pin (small)
41	Cotter pin
42	Hinge pin (large)

DECLARATIONS OF CONFORMITY

	 Fitzwilliam Hill, Fitzwilliam Place, Dublin 2
DECLARATION OF CONFORMITY	
This is an important document and should be retained.	
We hereby declare that this product(s) complies with the following legislation: <i>2006/14/EC Machinery Directive</i>	
The following standards have been applied to the product(s): <i>EN 1494:2000/A1:2008</i>	
The technical documentation required to demonstrate that the product(s) meet(s) the requirement(s) of the aforementioned legislation has been compiled and is available for inspection by the relevant enforcement authorities.	
The CE mark was first applied in: 2023	
Product Description:	2.5T Trolley Jack with SUV Extension
Model Number(s):	CTJ2500SUV
Serial/Batch Number:	Refer to product/packaging label
Date of Issue:	28/02/2023
Signed:	 J.A. Clarke Director

CTJ2500SUV CE Clarke DOC 022823 Page 1 of 1

	 Hermal Street, Epping, Essex, CM16 4LG
DECLARATION OF CONFORMITY	
This is an important document and should be retained.	
We hereby declare that this product(s) complies with the following legislation: <i>Supply of Machinery (Safety) Regulations 2008</i>	
The following standards have been applied to the product(s): <i>EN 1494:2000/A1:2008</i>	
The technical documentation required to demonstrate that the product(s) meet(s) the requirement(s) of the aforementioned legislation has been compiled and is available for inspection by the relevant enforcement authorities.	
The UKCA mark was first applied in: 2023	
Product Description:	2.5T Trolley Jack with SUV Extension
Model Number(s):	CTJ2500SUV
Serial/Batch Number:	Refer to product/packaging label
Date of Issue:	28/02/2023
Signed:	 J.A. Clarke Director

CTJ2500SUV UKCA Clarke DOC 022823 Page 1 of 1

A SELECTION FROM THE VAST RANGE OF

Clarke®

QUALITY PRODUCTS



AIR COMPRESSORS

From DIY to industrial, Plus air tools, spray guns and accessories.

GENERATORS

Prime duty or emergency standby for business, home and leisure.

POWER WASHERS

Hot and cold, electric and engine driven - we have what you need

WELDERS

Mig, Arc, Tig and Spot. From DIY to auto/industrial.

METALWORKING

Drills, grinders and saws for DIY and professional use.

WOODWORKING

Saws, sanders, lathes, mortisers and dust extraction.

HYDRAULICS

Cranes, body repair kits, transmission jacks for all types of workshop use.

WATER PUMPS

Submersible, electric and engine driven for DIY, agriculture and industry.

POWERTOOLS

Angle grinders, cordless drill sets, saws and sanders.

STARTERS/CHARGERS

All sizes for car and commercial use.

PARTS & SERVICE: 0208 988 7400

Parts Enquiries
Parts@clarkeinternational.com

Servicing & Technical Enquiries
Service@clarkeinternational.com

SALES: UK 01992 565333 or Export 00 44 (0)1992 565335

Clarke INTERNATIONAL Hemnall Street, Epping, Essex CM16 4LG
www.clarkeinternational.com